

Overview

The WiStat 5 is a communicating wired thermostat, ideal for new installs, or retrofits where five wires are already in place. The WiStat 5 controls PTAC units like a standard wired thermostat, and is paired with a WiPoint 485 on the wall for wireless central control.

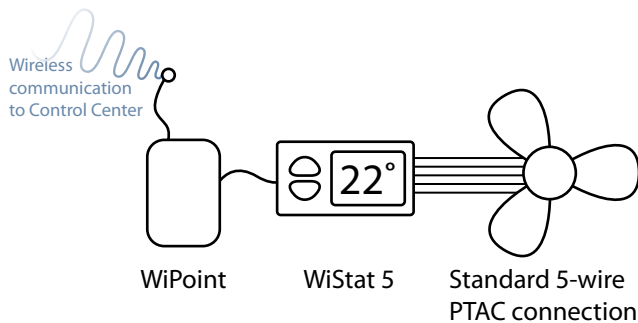
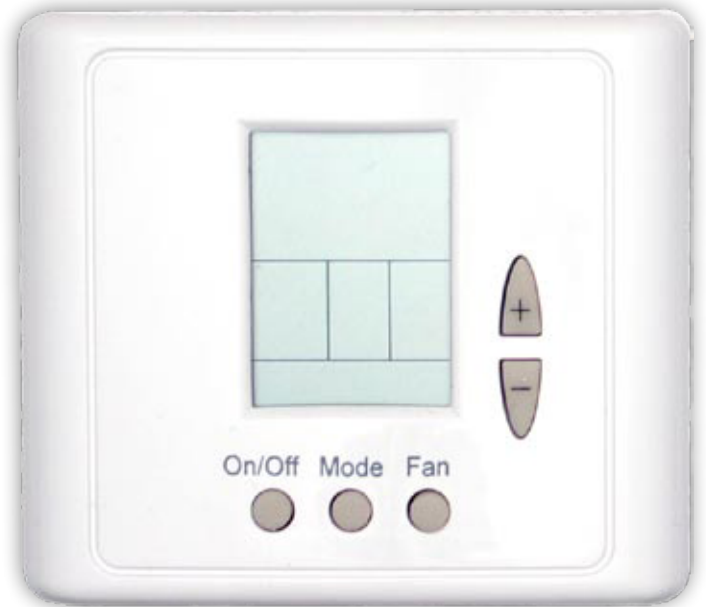
Product Highlights

Easy to Install

Two pieces with quick connector. Back plate can be wired and electronics added later.

Intelligent Control

- Built-in auto changeover
- Automatic compressor short cycle protection
- Average sensing capability
- Safety and User limits



Power Specifications

Temperature Range	45° to 88° F / 10° to 35° C
Differential	1.2° F
Load Rating	2A
Input	24V AC
Wiring Connections	Screw type terminals
Material	PC/ABS

Control Specifications

Single Set Point	
Variable dead band between 1 and 5 degrees F	

Compatibility

Supports PTAC, FANCOIL, heat pump	
1,2,3 Speed Fan	
Single and Dual Stage Heat/Cool	
Auto Fan, and Auto Changeover	
C and F Modes	
Conforms to North American and EU mounting requirements	