

## Overview

The WiPoint 485 is a ZigBee to serial bridge. It allows serial communicating devices such as the WiStat 5 to communicate over a ZigBee network. In a WiSuite installation, the WiPoint 485 provides communication to the Control Center for a room controlled by a wired WiStat 5 thermostat. The WiStat 485 is typically placed on the wall next to the WiStat 5.

## Product Highlights

### Easy to Install

Two pieces with quick connector. Back plate can be wired and electronics added later.

### True ZigBee Compatibility

The WiPoint 485 incorporates a WiSE250 ZigBee module – a ZigBee 1.0 and PRO (draft) compliant communications module based on the Ember Platform.

### Communication Options

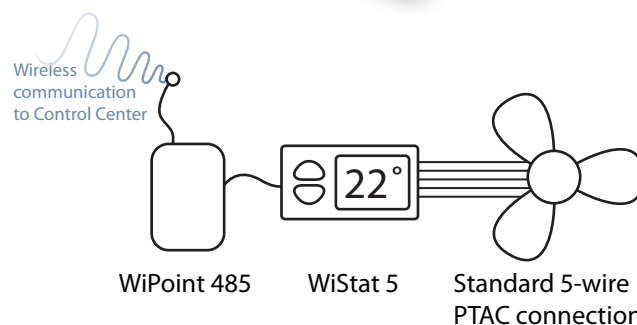
The WiPoint 485 is available in either RS485 or RS422 configurations.

### Integrated Temperature Sensor

Ideal for HVAC applications.

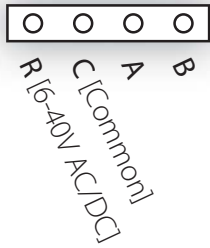
### Unobtrusive LEDs

The WiPoint WR features four small LEDs (power, link, TX, RX) tucked unobtrusively under the top grill, and that can be easily disabled.

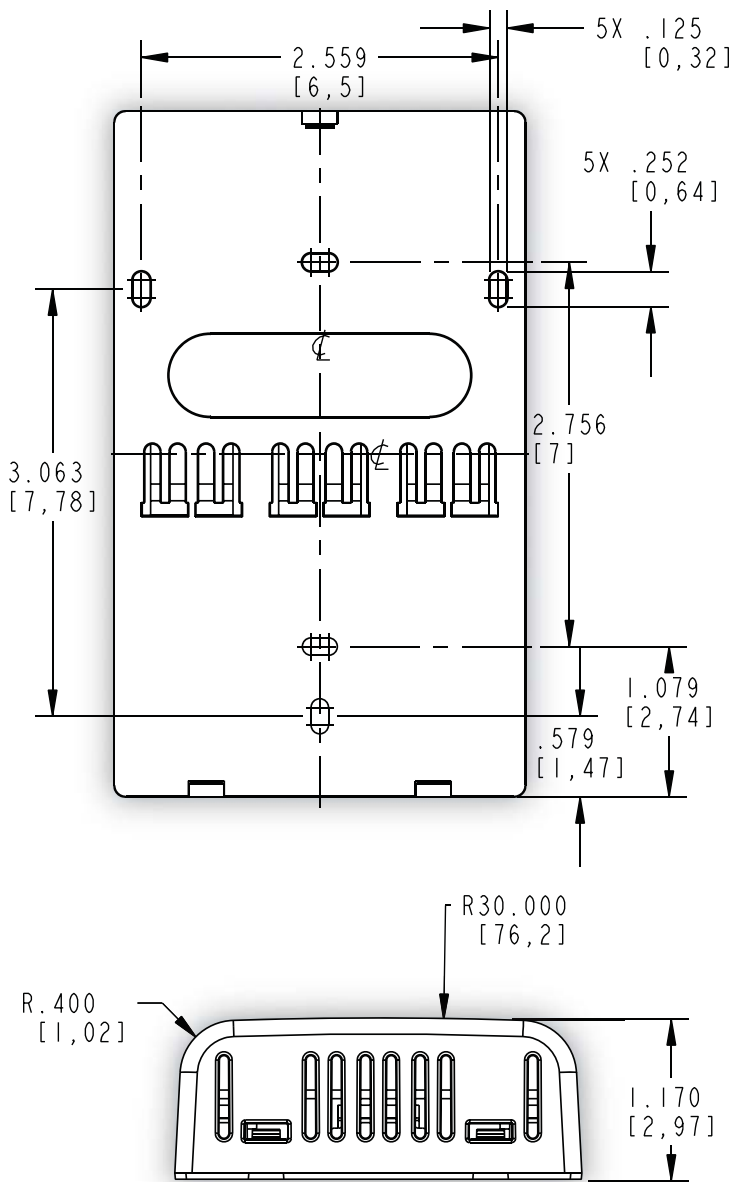


WiStat 5 and WiPoint 485 (Instruction label optional)

### WiPoint 485 Pin Diagram



### WiPoint 485 Dimensions



### Compliant Specifications

IEEE 802.15.4
ZigBee v1.0 (2004)
ZigBee PRO draft
RS485 / RS422

### RF Characteristics

Powered by **WiSE250**

Outdoor LOS range	250m
TX Power	Up to 5dBm
RX Sensitivity	-95 dBm (1% PER)
Frequency	ISM 2.405 - 2.480 GHz
Data Rate	250 Kbps

### Power Specifications

Input Power	6V - 40V DC or AC
-------------	-------------------

### Other Specifications

Temperature Sensor	+/- 1°C accuracy with precision of 0.0016°C
LEDs	Power, Link, TX/RX (for serial communication)

